

2007 NESC® CHANGES

NEWSLETTER

Issue 8 of 8

www.marneassociates.com

April 2007

Codebooks, Handbooks, and More

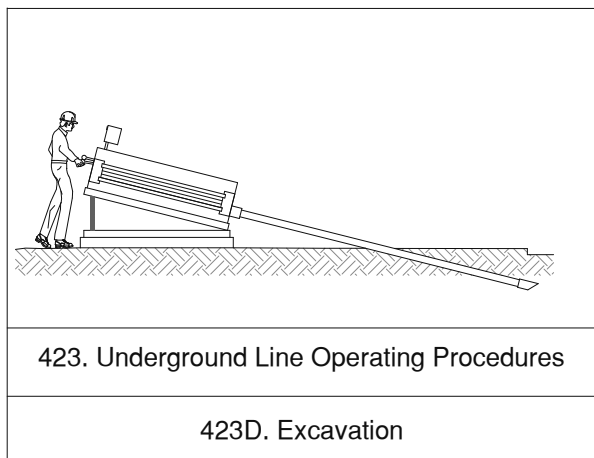
Visit www.codehandbook.com/codestore and check out our NEW reference, *Design Guide for Rural Substations*. Various RUS manuals are available to purchase in convenient and updated bound editions.

Focus on Changes

Our last issue in this series focuses on new Rule 423D2 titled Excavation and revised Rule 441A titled Minimum Approach Distance to Live Parts.

New Rule 423D2, Excavation

New Rule 423D2 states that existing utilities should be exposed where the bore path of guided boring or directional drilling methods cross existing utilities. The crew performing the guided boring or directional drilling is responsible for exposing the existing utilities. IEEE Std 1333-1994, *IEEE Guide for Installation of Cable Using the Guided Boring Method* is listed as the applicable standard. See figure below.



Revised Rule 441A, Minimum Approach Distance to Live Parts

Rule 441A was revised to clarify the minimum approach distance requirements for various voltage levels. The precautions for approach above 72.5 kV were extensively updated to include requirements for the maximum anticipated per-unit overvoltage factor (T) and methods of applying temporary (transient) overvoltage control services (TTOCD). The minimum approach distance tables (NESC Tables 441-1 through 441-4) were modified to correspond to changes to Rule 441. The basic concept of minimum approach distance is shown in the figure below.

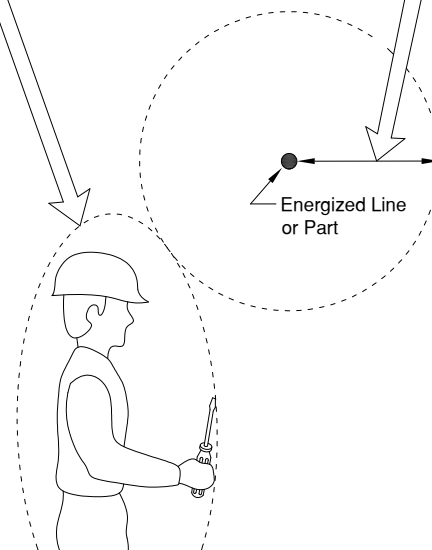
National Electrical Safety Code® and NESC® are registered trademarks of the Institute of Electrical and Electronics Engineers (IEEE).

Minimum Approach Distance:

- Employees must not approach or bring any conductive object within the minimum approach distance.
- Supply worker minimum approach distances are found in NESC Tables 441-1, 441-2, 441-3, and 441-4. (Similar tables are found in OSHA1910.269.)

Expected Reach of Employee:

The expected reach of the employee includes intentional and expected movements, including such things as adjusting a hard hat, maneuvering tools, reaching for items being passed to the employee, adjusting parts and work positions, etc.



Training Options

Public Seminars Across the USA

Marne and Associates will be presenting a one-day seminar entitled *Major Changes and General Overview of the 2007 NESC®* at the following locations:

April Schedule

Louisville on April 12, 2007 ► **Still time to register!**

Atlanta on April 24, 2007

May Schedule

Rapid City (IEEE/REPC) on May 9, 2007

St. Louis on May 15, 2007

IEEE Rural Electric Power Conference (REPC) Tag-Along Presentation

Marne and Associates will be presenting our 2007 NESC® Changes Seminar at the IEEE Rural Electric Power Conference (REPC) on May 9, 2007. Visit www.ieeerepc.org and click on "Tag Along Seminars" for more information.

Please visit www.marneassociates.com to register for any of our training sessions.



Marne and Associates, Inc.
Experts in Electrical Code

619 S.W. Higgins, Suite C, Missoula, MT 59803
Phone: (406) 544-8997 Fax: (406) 549-8952